

SERIES 6000 10C FLAP GATE

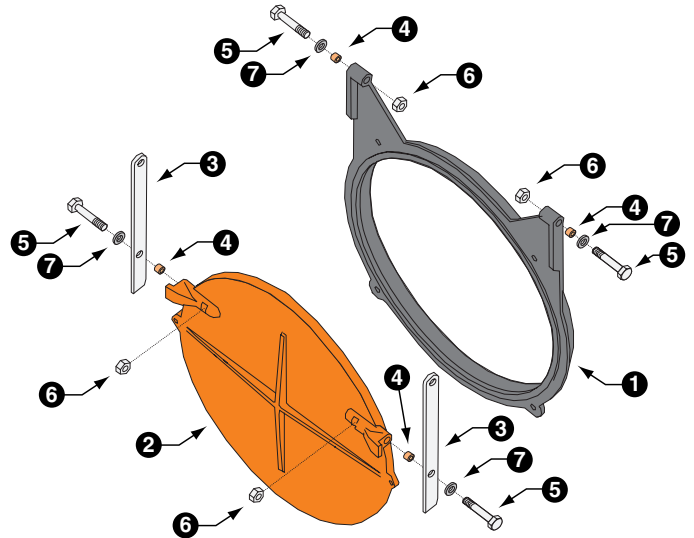


Features

- Economical backflow prevention perfect for low head applications.
- Double pivot hinge action provides positive seating.
- Rugged Cast Iron seat and cover.
- Versatile for mounting to headwalls or corrugated pipe.
- Balanced design ensures maximum responsiveness.
- Precision machined and ground seating surfaces.

Material Specifications

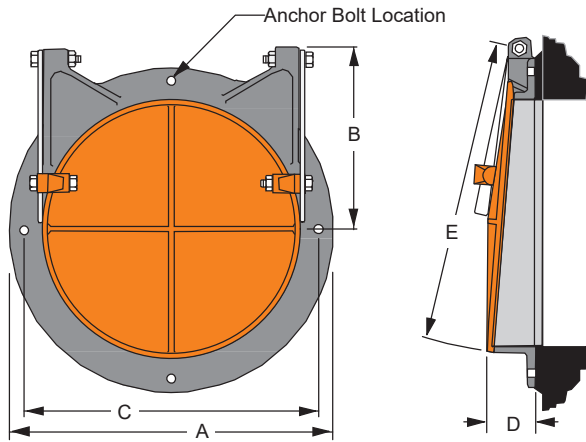
Item	Description	Material	Specification
1	Seat	Cast Iron	ASTM A126, Class B
2	Cover	Cast Iron	ASTM A126, Class B
3	Link	Steel, Galvanized	ASTM A36, A123
4	Bushing	Bronze	ASTM B505
5	Hinge Bolt	Steel, Plated	ASTM A307, A164
6	Nut	Steel, Plated	ASTM A307, A164
7	Washer	Steel, Plated	ASTM A307, A164



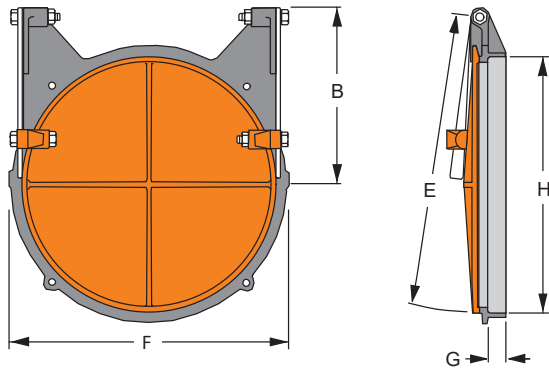
Applications

The Series 6000 Flap Gate is designed to permit the outflow of water from a pipe or a structure to a body of water while preventing backflow of the same. It is frequently used in reservoirs, tidal basins, ponding basins, pump stands and storm drain systems where seating heads are less than ten feet.

SPECIFICATIONS



Flat Back Model



Spigot Back Model

Pressure Rating

Maximum seating head10 ft.

Installation

The Series 6000 Flap Gate is normally installed on corrugated steel pipe or bolted to a concrete head wall or a steel flange. When attached to corrugated steel pipe the spigot back style seat is used. This style seat allows for a simple bolted connection to the pipe or the use of a rod and lug harness assembly to mount the gate to the pipe. In either case a mastic is used to seal the joint. When mounted to a concrete headwall the flat back style seat is used in conjunction with embedded anchor bolts to locate, align and support the gate. A one inch space between the seat and concrete is grouted after the gate has been mounted on the anchor bolts. The flat back style seat can also be machined and drilled to match a partial pattern of a standard 25 lb. or 125 lb. flange.

Options

- Flat back for headwall or flange mounting.
- Spigot back for corrugated pipe.
- Bronze seating surfaces.
- Stainless Steel links/bushings/fasteners.
- Special coatings.

Dimensional Information

Valve Size (Inches)	Weight (lbs)		Dimensions (Inches)								Anchor Bolt Data	
	Spigot Back	Flat Back	A	B	C	D	E	F	G	H	Qty.	Size
6	10.0	14.0	11.00	5.69	9.50	2.15	7.50	8.75	1.28	6.75	4	3/8 x 12
8	19.0	28.0	13.50	6.38	11.75	2.75	10.06	10.00	1.50	8.75	4	1/2 x 12
10	26.0	37.0	16.12	7.81	14.25	2.90	12.50	12.25	1.50	11.75	4	1/2 x 12
12	40.0	51.0	19.00	9.25	17.00	3.13	14.88	14.12	1.50	13.25	4	1/2 x 12
15	53.0	76.0	22.12	11.31	19.00	4.00	18.50	17.81	1.50	16.25	4	1/2 x 12
18	85.0	128.0	25.12	13.62	22.75	4.27	22.19	21.00	1.50	19.25	4	5/8 x 12
21	123.0	-	28.25	15.88	26.00	4.75	26.00	24.00	1.50	22.25	4	5/8 x 12
24	142.0	202.0	32.12	18.00	29.50	5.92	29.62	27.50	1.50	25.25	4	5/8 x 12
30	286.0	-	-	21.75	-	-	36.25	34.00	2.00	31.25	4	3/4 x 12
36	406.0	473.0	46.00	26.25	42.75	3.35	-	-	-	-	4	3/4 x 12
42	535.0	614.0	53.00	31.00	49.50	3.50	51.50	47.75	2.00	43.38	4	3/4 x 12
48	769.0	890.0	59.75	35.25	56.75	6.56	58.75	50.75	2.00	49.38	4	3/4 x 12
60	1282.0	-	-	43.25	-	-	73.00	68.50	2.75	61.25	6	1 x 12



Fresno Valves & Castings, Inc.
 7736 East Springfield Avenue
 P.O. Box 40, Selma, CA 93662, U.S.A.
(800) 333-1658
www.fresnovalves.com